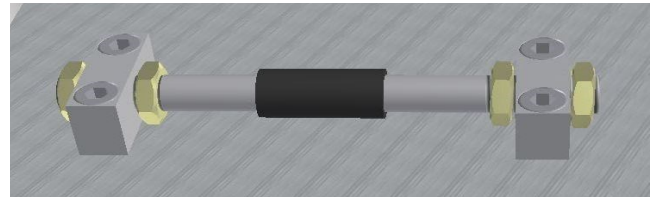
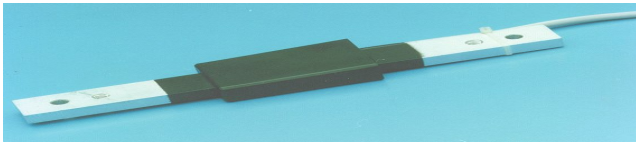


STRAIN-METER FOR STEEL STRUCTURES



This particular type of gauge has been specifically developed to measure stresses and strains in concrete and/or reinforced steel structures such as diaphragm walls, struts, piles, steel lining, etc.

AGISCO strain-meters are designed to have the characteristics of defined elasticity (Young's Modulus) and high deformability to allow improved accuracy in strain measurement.

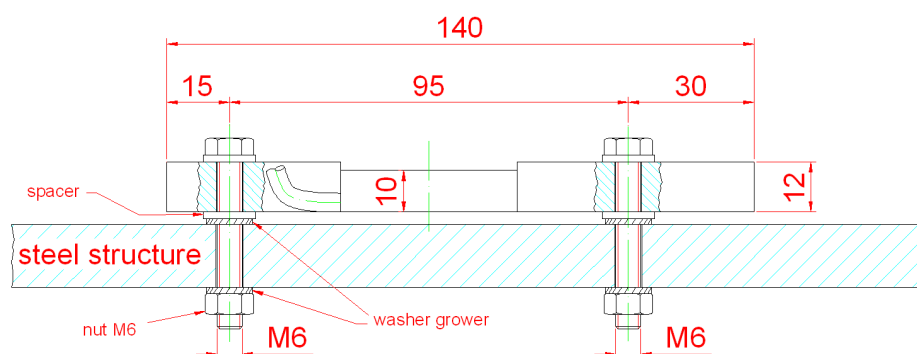
This type of strain-meter was developed for use in a hostile environment: their IP68 protection giving them particular suitability

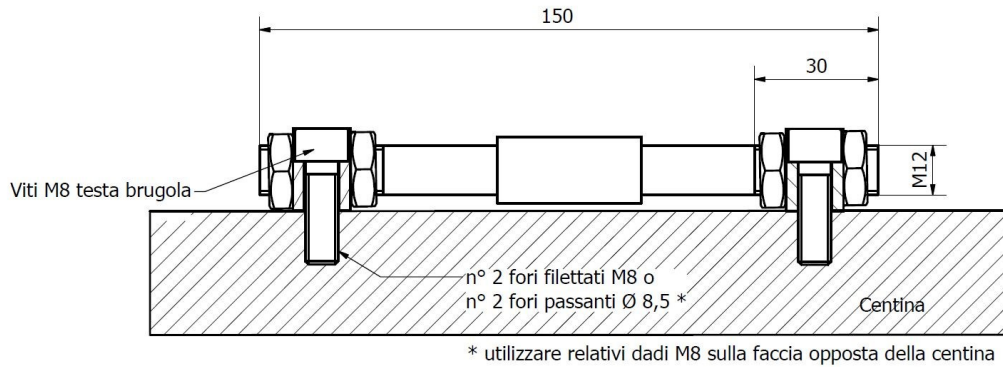
for very humid environments and even immersion in concrete or water under pressure.

These instruments may be used several times as they are easy to attach and remove from the structure under monitoring.

Once testing is over, they may be easily recovered and reused.

These instruments are particularly suited for use during subterranean excavation as they are easy to move while driving the tunnel.





TECHNICAL SPECIFICATIONS

STRAIN METER FOR STEEL STRUCTURES

| | |
|-----------------------------|--|
| Max supply voltage | 10 V |
| Standard supply voltage | 5 V |
| Colour Code: | WHITE - SIGNAL GREEN + SIGNAL BLACK - SUPPLY RED + SUPPLY |
| Input resistance | 350 Ω |
| Total error | $\pm 0,2\%$ F.S. |
| Sensitivity | 1mV/V (1725 Kg) |
| Insulation | >5000 M Ω |
| Material | Aluminium/Stainless steel |
| Protection degree | IP68 |
| Temperature operation range | -20 ÷ +70 °C |
| Full scale | $\pm 1500\mu\epsilon$ |
| Max overload | 150% F.S. |

Agisco reserve the right to change their products and specifications without notice

AGISCO s.r.l.

Via G. Galilei, 16 20066 Melzo (MI) Italia

Tel. +39 02 9587690

www.agisco.it - agisco@agisco.it